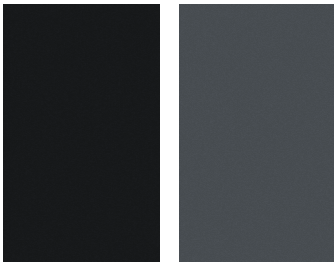


BOSTON - SPACERS FOR RHOMBUS BOARD

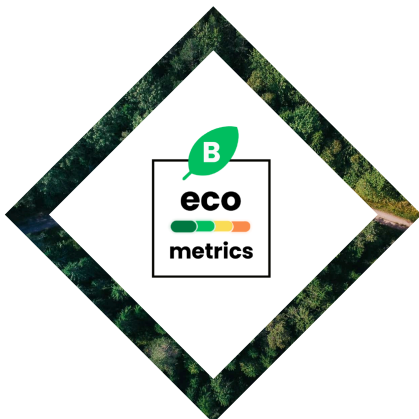
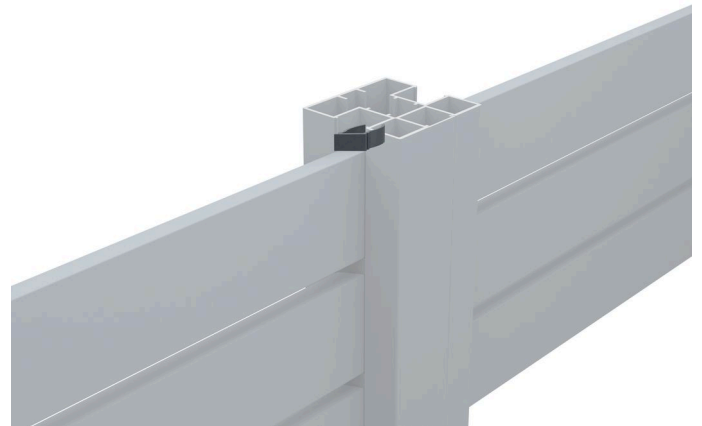
- Easy to install in the post
- Stack to increase spacing
- Color matched to boards
- One bag allows to make a 1m87 high panel



Black RAL9005 Anthracite grey RAL7016

Spacers for inclined boards

The bag of 44 spacers makes a fence panel with 22 Rhombus slats, i.e. a height of 187cm. The spacers simply slide into the post.



Environment

LIFETIME	> 20 years
GHG EMISSIONS	0.5 (GES)
RECYCLED MATERIAL	Polyamide
END OF LIFE RECYCLABILITY	90 %



Characteristics

Main material	Nylon
Installation type	To clip
Quantity per Sales Unit	44
Useful height (mm)	10
	Fencing

Logistics Data

REF	EAN CODE	DESIGNATION	WEIGHT (KG)	PACK 1	PACK 2
2897	3700421819249	BOSTON - Nylon Spacers 10mm for Rhombus (44pcs) - Black RAL9005	0.07		20
2778	3700421816439	BOSTON - Nylon Spacers 10mm for Rhombus (44pcs) - Grey RAL7016	0.07		20

Associated products



BOSTON - RHOMBUS ALUMINIUM BOARD



BOSTON - OPALE ALUMINIUM BOARD



BOSTON - ALUMINIUM POST 75X75MM